

# Lexmark XM7100 Series Monochrome Laser MFP



Model shown features additional options

## Built for Top Performance.



Mono



10.2-inch  
Touch Screen



Solutions



Security



Duplex ADF  
single-pass



Duplex  
Printing



Up to  
70 ppm



Fax



Finishing  
Function

**LEXMARK**<sup>TM</sup>



## Lexmark XM7100 Series



### Why Lexmark.

Founded in 1991 from an IBM heritage in Lexington, Kentucky, Lexmark is focused on delivering tailored solutions to solve the unique challenges businesses face. Lexmark's broad portfolio of high-quality products, solutions and services help improve productivity, increase efficiency and empower employees to perform at their best.



### Eco-responsible.

Printing responsibly and reducing the impact of printing on the environment is a win for your business and your budget. Our goal is to design, package and deliver innovative products and solutions that produce high-quality output with reliable performance. And at the same time, help you minimize the number of cartridges you use over the life of a printer and conserve paper and energy.

The Lexmark Cartridge Collection Program provides a variety of methods for free returns of your empty cartridges to Lexmark or our collection partners. Program availability and details vary by country.



### Environmental protection is a shared responsibility.

Through work with industry groups, Lexmark helps guide the formation of standards and guiding principles for environmental sustainability.

#### Our memberships include:

- AeA Europe
- Ecma International
- Electronics Industry Citizenship Coalition (EICC)
- DIGITALEUROPE
- Information Technology Industry Council (ITI)
- Environmental Leadership Council





## Lexmark XM7100 Series Overview



**Top performance.** The Lexmark XM7100 Series is the ultimate in multifunction power. A choice of configuration options and productivity solutions let your businesses get exactly what it needs to get more done. More value and versatility in a space-saving footprint.

- Process even the most complex jobs utilizing the 800MHz dual-core processing power and up to 3GB of memory
- Get work done quickly with print and copy speeds up to 70 ppm and produce your first page in as little as 4 seconds
- Produce professional output with a system that delivers consistent image quality on a diverse range of materials
- Instant warm-up fuser helps reduce energy consumption and improve time to first page



**Business productivity.** The Lexmark XM7100 Series combines exceptional multifunction performance with time-saving applications designed to make you more productive.

- Save time with fast two-sided color scanning in a single pass and quickly convert hard-copy documents into a digital format
- Advanced copy functions let you interrupt long print runs to make a quick copy and proof the first copy set before completing your copy job
- Scan to multiple destinations, including scan to network, email, FTP, fax and more
- Select from a number of output options and finishing features including a four-bin user-assignable mailbox, offset stacker or staple finisher



**Easy and intuitive.** The Lexmark XM7100 Series is designed for easy operation to allow you to stay focused on customer engagements instead of routine maintenance.

- Extra-large, easy-to-navigate 10.2-inch, color touch screen provides audible and tactile feedback to make completing tasks intuitive
- Print and scan preview features help you select documents or specific pages within a document
- Directional lights on the device provide visual cues to guide you through tasks
- Extend your environmental responsibility with energy-efficient settings such as the Sleep Button and Hibernate Mode
- Manage your devices with available software

## Propel your business forward

Our solutions are designed with your productivity in mind. The Lexmark XM7100 Series platform lets you interact with business applications directly on the device or with a server, on premise or hosted in "the cloud". Reduce unnecessary printing and simplify work processes with Lexmark solutions.

## Lexmark XM7100 Series Solutions

**Navigate to efficiency.** The Lexmark color touch screen is a key access point to your device. The extra large, customizable, 10.2-inch interface gives you the ability to preview thumbnails of documents prior to printing, as well as change print job settings at the device. You can even view, select and print specific pages within a document directly from the touch screen. Its easy-to-use, intuitive navigation provides fast access to the functions and shortcuts.

The following are examples of preloaded solutions on XM7100 Series MFPs:



### Multi Send

Capture and route a document to multiple destinations simultaneously and print a copy if you choose. Documents can be routed to email, network folders or FTP sites.



### Forms and Favorites

Eliminate waste and inefficiencies associated with preprinted forms. Store frequently printed forms, marketing materials or other documents online, then print them on demand.



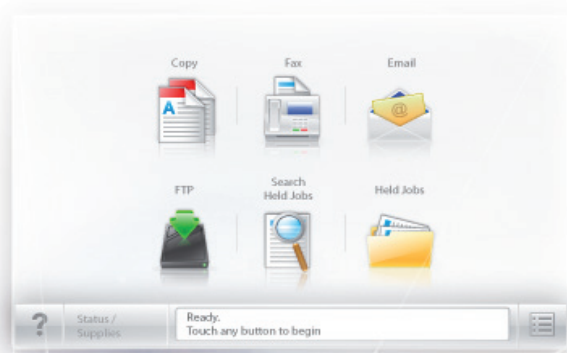
### Scan to Network Basic

Scan a hard copy document and route the image to one of 30 predefined or public shared network folders.



### Customer Support

This application provides you with an easy way to send information about your device to your authorized dealer or internal help desk.



Additional Lexmark solutions are available through your authorized Lexmark Business Solutions Dealers.





## Lexmark XM7100 Series Vertical Solutions



### Professional quality output is only part of the story

By leveraging our industry expertise, you can generate efficiency and increase productivity across business processes to gain the power you need to move ahead. Lexmark technology solutions are tailored to your business environment – where business interactions and decisions are happening.

Empower your employees with workflow solutions that refine work processes, capture critical data and deliver information to the right place, at the right time and in the right format.

Contact your Lexmark Business Solutions Dealer for specific vertical solutions\*. Solutions are customized through your dealer.

\* Optional software available. Licensing fees may apply.



### Keep sensitive information and documents secure

Lexmark builds network devices with security in mind to protect your data and documents throughout your entire workflow. Our wide range of security functions include device management, device hardening and device operation.

**Device management.** Tools include administrative access and passwords, HTTPS, SNMPv3, IP security (IPSec), and 802.1x support to remotely monitor and manage device usage.

**Device hardening.** Includes port filtering, TCP connection filtering, hard disk encryption, hard disk wiping and digitally signed firmware updates that enhance the security of the device's network interface.

**Device operation.** Reduce vulnerabilities with authentication and authorization features, address book lookup via LDAP over SSL and device lockout for protection of user information.

### Lexmark has shown its strength and leadership with respect to security.

- Forming and chairing the group that created the IEEE 2600 standards for security on hard copy devices.
- Becoming the first hard copy device manufacturer to take a holistic approach with the National Information Assurance Partnership (NIAP) Common Criteria evaluation.

# Lexmark XM7100 Series Key Features



XM7100 model with Staple Finisher

## Features that help you optimize your work



### 1) 10.2-inch, color touch screen

Operate your device with ease through smart and intuitive navigation. Receive audible and tactile feedback when you use the touch screen.



### 2) Flexible output options

Choose from multiple output options, including a 4-bin mailbox, an offset stacker, a staple finisher and hole punch finisher.



### 3) Single-pass duplex automatic document feeder

Save time by scanning both sides of your document in one pass with robust color-scanning capabilities and ultrasonic multi-feed detection to prevent jams.



### 4) Direct USB

The front USB port allows for convenient walk-up preview, printing and scanning and is compatible with most printable image file formats.



### 5) Lexmark solutions

Reduce unnecessary printing and simplify work processes through solutions applications preloaded on your device. Choose additional Lexmark solutions to fit your unique workflow needs.



### 6) Lexmark's Unison™ Toner

Advanced toner science – powerful enough to deliver consistently outstanding image quality, with a shake-free print system.

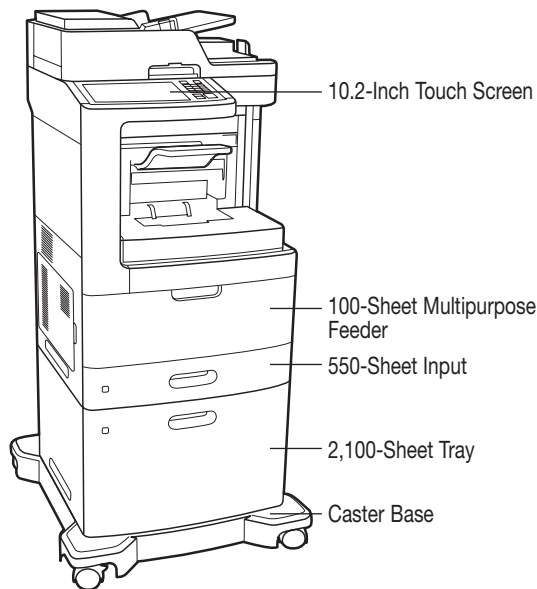


### 7) Eco-friendly features

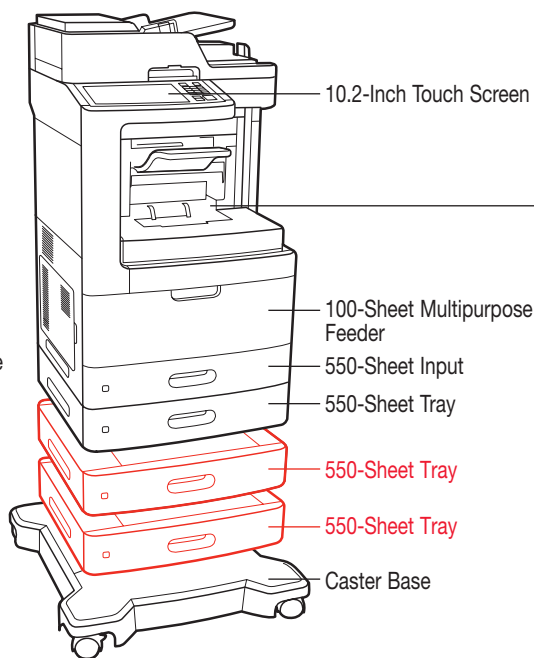
Easy-to-access features like Eco-Mode to reduce paper and toner consumption, the Sleep Button and Hibernate Mode make it easy to print responsibly and help you save energy.



# Lexmark XM7100 Series Ordering Information

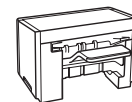


Model shown:  
XM7155x, XM7163x or XM7170x with Staple Finisher



Model shown:  
XM7155, XM7163 or XM7170 with Staple Finisher

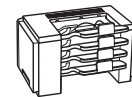
Select one preconfigured model with finisher



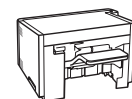
500-Sheet Offset Stacker



Staple Finisher



4-Bin Mailbox



Staple, Hole Punch Finisher

- Standard
- Optional

## XM7100 Series

Part #	Model
24T8402	Lexmark XM7155
24T8403	Lexmark XM7163
24T8404	Lexmark XM7170
24T8350	Lexmark XM7155x
24T8351	Lexmark XM7163x
24T8352	Lexmark XM7170x
Part #	Laser Toner/Print Cartridge
24B6020	XM7155, XM7163, XM7170 Toner Cartridge
24B6025	Imaging Unit
25A0013	Staple Cartridges (3 pack)
Part #	Service
40X8420	Fuser Maintenance Kit
40X8431	ADF Maintenance Kit
Part #	Paper Handling
24T7300	550-Sheet Tray
24T7350	2100-Sheet Tray
24T8999	500-Sheet Offset Stacker
40G0850	MS81x Staple Finisher
40G0849	MS81x Staple, Hole Punch Finisher
40G0852	MS81x 4-Bin Mailbox

Part #	Memory Options
57X9101	256MB Flash Memory Card
57X9016	1024MBx32 DDR3 RAM
57X9012	2048MBx32 DDR3 RAM
57X9110	Traditional Chinese Font Card
57X9112	Simplified Chinese Font Card
57X9114	Korean Font Card
57X9115	Japanese Font Card
Part #	Application Solutions
24T7351	MX71x, MX81x Card for IPDS
24T7352	MX71x, MX81x Forms and Bar Code Card
24T7353	MX71x, MX81x Card for PRESCRIBE Emulation
Part #	Connectivity
27X0225	MarkNet N8350 802.11b/g/n Wireless Print Server
1021294	USB (2-meter) Cable
14F0000	Parallel 1284-B Interface Card
1021231	Parallel (10-foot) Cable
14F0100	RS-232C Serial Interface Card

# Lexmark XM7100 Series Product Specifications



Product specifications	Lexmark XM7155	Lexmark XM7163	Lexmark XM7170
<b>Printing</b>			
Display	Lexmark e-Task 10.2-inch (25.9 cm) color touch screen		
Print Speed: Up to <sup>4</sup>	Black: 55 ppm	Black: 63 ppm	Black: 70 ppm
Time to First Page: As fast as	Black: 4.8 seconds	Black: 4.4 seconds	Black: 4.0 seconds
Print Resolution	Black: 600 x 600 dpi, 1200 Image Quality, 2400 Image Quality, 1200 x 1200 dpi		
Memory / Processor	Standard: 1024 MB / Maximum: 3072 MB / Processor: Dual Core, 800 MHz		
Hard Disk	Included in configuration		
Recommended Monthly Page Volume <sup>2</sup>	5000 - 35000 pages		
Maximum Monthly Duty Cycle: Up to <sup>3</sup>	300000 pages per month		
<b>Copying</b>			
Copy Speed: Up to <sup>4</sup>	Black: 55 cpm	Black: 63 cpm	Black: 70 cpm
Time to First Copy: As fast as	Black: 4.5 seconds	Black: 4.2 seconds	Black: 4 seconds
Reduce / Enlarge Range	25 - 400%		
<b>Scanning</b>			
Duplex Scan Speed: Up to	A4/Ltr, Black: 70 / 72 sides per minute - A4/Ltr, Color: 66 / 68 sides per minute		
Simplex Scan Speed: Up to	A4/Ltr, Black: 67 / 70 sides per minute - A4/Ltr, Color: 67 / 70 sides per minute		
Scanner Type / ADF Scan	Flatbed scanner with ADF / DADF (Single Pass Duplex) / 150 pages 20 lb or 75 gsm bond		
Optical Scanning Resolution	600 X 600 ppi (black), 300 X 300 ppi (color)		
<b>Faxing</b>			
Modem Speed	ITU T.30, V.34 Half-Duplex, 33.6 Kbps		
<b>Supplies</b>			
Laser Cartridge Yields	35,000 <sup>1</sup> -page Extra High Yield Cartridge		
Cartridge(s) Shipping with Product	25,000 <sup>1</sup> -page Starter High Yield Return Program Toner Cartridge		
Imaging Unit Estimated Yield: Up to	100000 pages, based on 3 average letter/A4-size pages per print job and ~ 5% coverage		
Staple Cartridges (3 pack)	15000		
<b>Paper Handling</b>			
Included Paper Handling	550-Sheet Tray, 100-Sheet Multipurpose Feeder, 550-Sheet Output Bin, Integrated Duplex, 550-Sheet Input	550-Sheet Tray, 100-Sheet Multipurpose Feeder, 550-Sheet Output Bin, Integrated Duplex, 550-Sheet Input	550-Sheet Tray, 550-Sheet Output Bin, 550-Sheet Input, 100-Sheet Multipurpose Feeder, Integrated Duplex
Included Paper Handling (x)	2100-Sheet Tray, 550-Sheet Output Bin, 100-Sheet Multipurpose Feeder, Integrated Duplex, 550-Sheet Input		
Optional Paper Handling	Staple Finisher, 4-Bin Mailbox, 550-Sheet Tray, 500-Sheet Offset Stacker	Staple Finisher, 4-Bin Mailbox, 550-Sheet Tray, 500-Sheet Offset Stacker	Staple Finisher, 550-Sheet Tray, 4-Bin Mailbox, 500-Sheet Offset Stacker
Optional Paper Handling (x)	Staple Finisher, 4-Bin Mailbox, 500-Sheet Offset Stacker		
Paper Input Capacity: Up to	Standard: 1200 pages 20 lb or 75 gsm bond / Maximum: 2300 pages 20 lb or 75 gsm bond		
Paper Input Capacity, Standard: Up to (x)	Standard: 2750 pages 20 lb or 75 gsm bond / Maximum: 2750 pages 20 lb or 75 gsm bond		
Paper Output Capacity: Up to	Standard: 1050 pages 20 lb or 75 gsm bond / Maximum: 1050 pages 20 lb or 75 gsm bond		
Media Types Supported	Refer to the Card Stock & Label Guide, Paper Labels, Integrated Labels, Dual Web Labels, Card Stock, Envelopes, Transparencies, Plain Paper		
Media Sizes Supported	A6, Oficio, Universal, Statement, Folio, DL Envelope, B5 Envelope, A4, 7 3/4 Envelope, 10 Envelope, 9 Envelope, A5, C5 Envelope, Executive, JIS-B5, Legal, Letter		
<b>General</b>			
Standard Ports	Rear USB 2.0 Specification Hi-Speed Certified Port (Type A), One Internal Card Slot, Front USB 2.0 Specification Hi-Speed Certified Port (Type A), USB 2.0 Specification Hi-Speed Certified (Type B), Gigabit Ethernet (10/100/1000)		
Optional Network Ports / Optional Local Ports	Internal MarkNet N8350 802.11b/g/n Wireless / Internal 1284-B Bidirectional Parallel, Internal RS-232C serial		
Noise Level, Operating	Printing: 55 dBA / Copy: 55 dBA / Scan: 57 dBA	Printing: 55 dBA / Copy: 56 dBA / Scan: 57 dBA	Printing: 56 dBA / Copy: 56 dBA / Scan: 57 dBA
ENERGY STAR	Yes		
Specified Operating Environment	Altitude: 0 - 2896 Meters (9,500 Feet), Temperature: 16 to 32°C (60 to 90°F), Humidity: 8 to 80% Relative Humidity		
Size (in. - H x W x D) / Weight (lb.)	44.6 x 26.1 x 28.9 in. / 177.8 lb.		

<sup>1</sup> Yield at approximately 5% print coverage. <sup>2</sup> "Recommended Monthly Page Volume" is a range of pages that helps customers evaluate Lexmark's product offerings based on the average number of pages customers plan to print on the device each month. Lexmark recommends that the number of pages per month be within the stated range for optimum device performance, based on factors including: supplies replacement intervals, paper loading intervals, speed, and typical customer usage. <sup>3</sup> "Maximum Monthly Duty Cycle" is defined as the maximum number of pages a device could deliver in a month using a multishift operation. This metric provides a comparison of robustness in relation to other Lexmark printers and MFPs. <sup>4</sup> Print and copy speeds measured in accordance with ISO/IEC 24734, excludes first set of test documents. For more information see: [www.lexmark.com/ISOspeeds](http://www.lexmark.com/ISOspeeds).



Unison is a trademark of Lexmark International, Inc. Information in this document is subject to change without notice. ENERGY STAR® is a U.S. registered mark. All other trademarks are the property of their respective owners. Lexmark and Lexmark with the diamond design are trademarks of Lexmark International, Inc., registered in the United States and/or other countries.

AirPrint and the AirPrint logo are trademarks of Apple Inc.

